

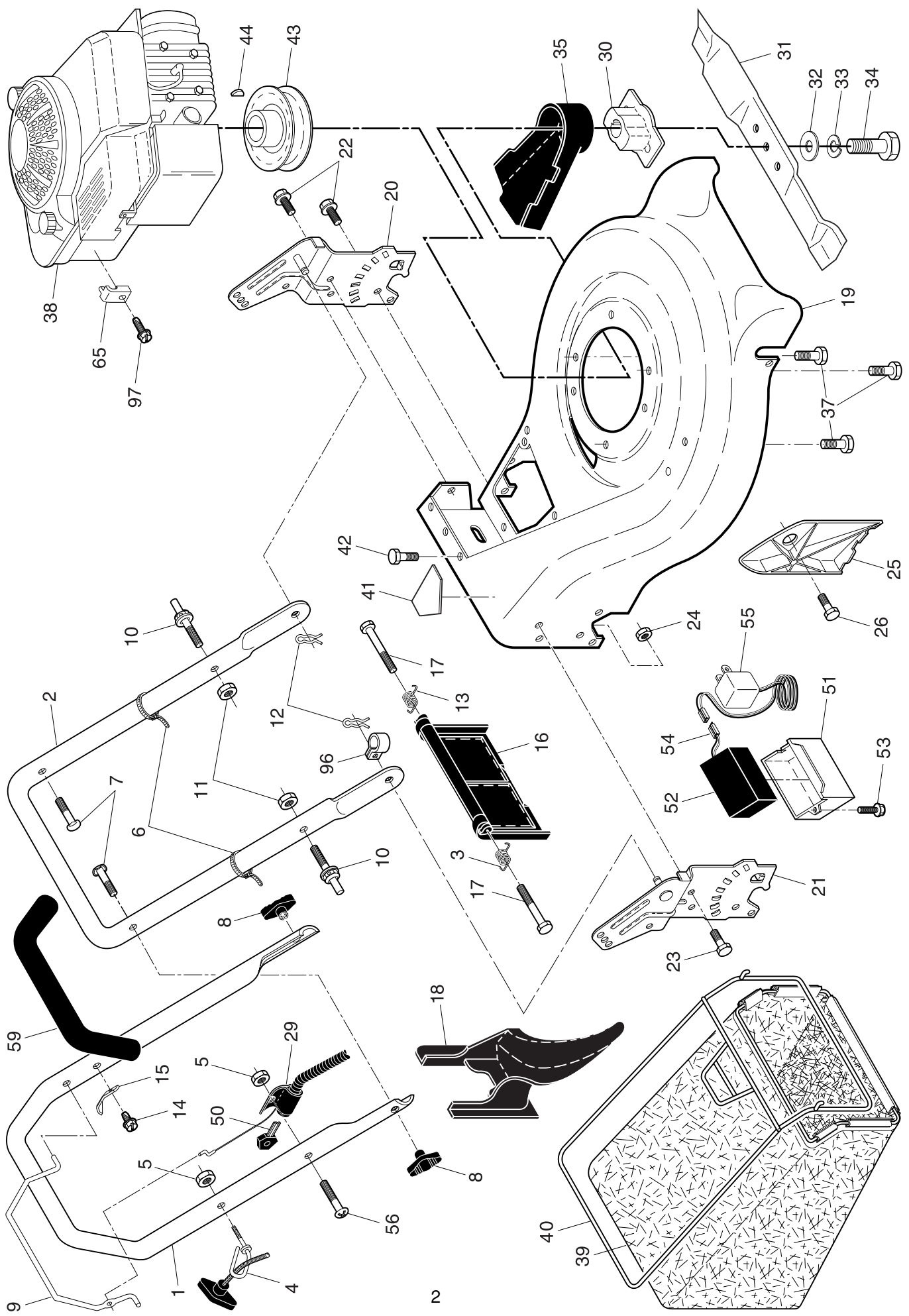
ILLUSTRATED PARTS LIST

CUSTOMER MODEL NUMBER 553CME

PRODUCT NUMBER 961 41 00-14

MFG. ID. NUMBER 96141001400

ROTARY LAWN MOWER - - CUSTOMER MODEL NO. 553CME (96141001400) PRODUCT NO. 961 41 00-14



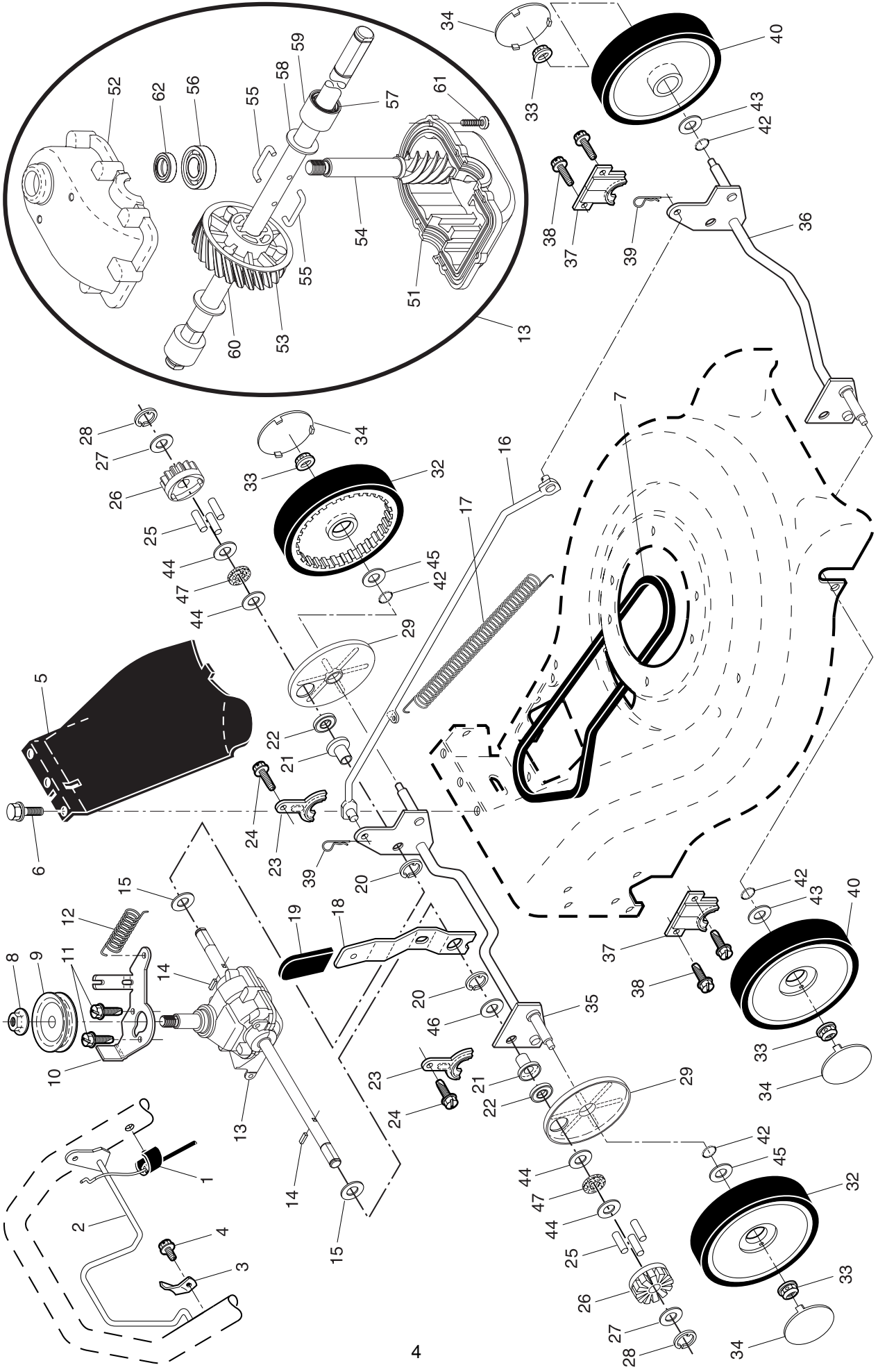
ROTARY LAWN MOWER - - CUSTOMER MODEL NO. 553CME (96141001400) PRODUCT NO. 961 41 00-14

KEY NO.	PART NO.	DESCRIPTION	KEY NO.	PART NO.	DESCRIPTION
1	532 17 80-67	Handle, Upper, Deluxe Comfort	32	532 85 10-74	Washer, Hardened
2	532 19 60-05	Handle, Lower	33	532 85 02-63	Lockwasher, Helical Spring 3/8
3	532 18 60-53	Spring, Rear Door, RH	34	532 85 10-84	Screw, Hex Head 3/8-24 x 1.38
4	532 17 95-85	Guide, Rope, Side	35	532 18 91-85	Shield, Debris
5	532 13 20-04	Nut, Hex, with Lockwasher Insert 1/4-20	37	532 15 04-06	Bolt, Engine
6	532 06 64-26	Wire, Tie	38	- - -	Engine, Briggs & Stratton, Model No. 12F803 (Order parts from engine manufacturer)
7	532 19 15-74	Bolt, Handle 5/16-18 x 1.75	39	532 19 49-68	Bag, Grass Catcher
8	532 19 19-38	Knob, Handle	40	532 18 88-17	Frame, Grass Bag
9	532 19 18-19	Bail, Control, Wire, Deluxe Comfort, Black	41	532 18 21-66	Decal Danger
10	532 18 88-21	Bolt, Carriage	42	532 05 45-83	Screw, Self Tapping
11	873 99 05-00	Nut, Hex, with Lockwasher Insert 5/16-18 UNC	43	532 18 49-41	Pulley, Engine
12	532 05 17-93	Cotter, Hairpin	44	532 18 77-23	Key, Hi-Pro
13	532 18 60-52	Spring, Rear Door, LH	50	532 18 03-31	Key (set of 2)
14	532 12 51-62	Bracket, Upstop	51	532 16 13-34	Box, Battery
15	532 75 06-34	Screw, Tapping, Hex Washer Head #10-24	52	532 75 09-09	Battery
16	532 19 05-74	Rear Door Assembly	53	817 41 13-12	Screw, Hex Washer Head #13 x .75
17	532 18 41-93	Bolt, Rear Door	54	532 08 63-53	Mounting Clip, Connector
18	532 18 75-35	Plug, Mulcher	55	532 19 24-36	Charger, Battery
19	532 19 93-20	Kit, Lawn Mower Housing Assembly	56	532 18 61-59	Screw
20	532 19 40-29	Handle Bracket Assembly, LH	57	532 75 11-52	Nut, Hex
21	532 19 40-31	Handle Bracket Assembly, RH	59	532 16 42-65	Grip, Handle, Foam, Smooth
22	532 15 00-78	Screw, Hex Washer Head	65	532 11 11-90	Cable Clamp
23	532 16 31-83	Bolt, Hex Head 5/16-18 x 5/8	96	532 19 27-70	Clip, Cable
24	873 80 05-00	Nut, Hex, with Lockwasher Insert 5/16-18	97	532 08 38-16	Screw
25	532 16 13-33	Baffle, Side	- -	532 18 21-34	Warning Decal
26	532 16 34-09	Screw #12 x 5/8	- -	532 19 50-58	Operator's Manual, European
29	532 19 49-53	Key Start Switch (Includes 2 Keys)	- -	532 19 50-62	Operator's Manual, Scandinavian
30	532 18 45-90	Adapter, Blade	- -	532 19 68-72	Operator's Manual, East Bloc
31	532 17 50-52	Blade, 21"			

NOTE: All component dimensions given in U.S. inches. 1 inch = 25.4 mm

IMPORTANT: Use only Original Equipment Manufacturer (O.E.M.) replacement parts. Failure to do so could be hazardous, damage your lawn mower and void your warranty.

ROTARY LAWN MOWER -- CUSTOMER MODEL NO. 553CME (96141001400) PRODUCT NO. 961 41 00-14



ROTARY LAWN MOWER - - CUSTOMER MODEL NO. 553CME (96141001400) PRODUCT NO. 961 41 00-14

KEY NO.	PART NO.	DESCRIPTION	KEY NO.	PART NO.	DESCRIPTION
1	532 18 76-26	Cable, Drive	29	532 18 94-03	Cover, Dust, Wheel
2	532 16 14-73	Bail, Control, Drive	32	532 18 80-42	Wheel & Tire Assembly, Rear, Driven 9 x 2
3	532 16 45-57	Bracket, Downstop	33	532 08 39-23	Nut, Hex, Flangelock
4	532 75 06-34	Screw, Tapping, Hex Washer Head #10-24	34	532 18 63-06	Hubcap
5	532 19 66-99	Cover, Drive	35	532 19 60-16	Shaft Assembly, Rear
6	532 75 06-34	Screw, Threaded, Rolled #10-25 x .50	36	532 19 60-15	Shaft Assembly, Front
7	532 16 08-16	V-Belt	37	532 16 14-63	Retainer, Front Shaft
8	532 13 20-10	Nut, Hex, Flangelock, Zinc Plated 3/8-16	38	532 16 34-09	Screw #12 x 5/8
9	532 16 39-39	Pulley, Driven	39	532 70 02-79	Clip, Retainer
10	532 16 45-53	Belt Keeper	40	532 15 03-48	Wheel & Tire Assembly, Front 8 x 2
11	817 54 10-11	Screw, Hex Washer Head #10-24 x .668	42	532 18 81-52	O-Ring
12	532 18 76-27	Spring	43	532 08 83-48	Washer, Flat 3/8
13	532 16 96-11	Gearcase Assembly, Complete	44	532 06 23-35	Belleville Washer 1/2
14	532 14 53-54	Pin, Spring, Thrust	45	532 06 77-25	Washer 1/2 x 1-1/2 x .134
15	532 05 70-79	Washer, Hardened	46	819 57 22-16	Washer
16	532 16 15-84	Rod, Connecting	47	532 08 81-18	Felt Washer
17	532 16 16-02	Spring, Extension	51	532 18 75-30	Case, Lower
18	532 19 61-62	Spring, Selector	52	532 19 12-45	Case, Upper
19	532 19 00-69	Knob, Selector Spring	53	532 18 75-32	Gear, 24 Teeth
20	812 00 00-22	E-Ring 7/8	54	532 18 75-33	Shaft, Worm
21	532 16 33-65	Bearing Support	55	532 18 35-05	Wireform
22	532 16 99-11	Bearing, Ball	56	532 18 35-06	Bearing, Ball
23	532 16 45-55	Retainer, Drive Assembly	57	532 18 35-08	Seal, Output Shaft
24	532 05 78-08	Screw, Tapping, Hex Head 1/4-20 x .75	58	532 18 35-09	Washer
25	532 17 00-11	Drive Pawl	59	532 18 35-11	Bushing
26	532 16 64-50	Pinion, Drive	60	532 19 12-48	Shaft, Output
27	532 05 21-60	Washer, Shim (as required)	61	532 18 35-13	Screw
28	812 00 00-58	E-Ring 7/16	62	532 18 35-14	Seal, Worm Shaft

NOTE: All component dimensions given in U.S. inches. 1 inch = 25.4 mm

IMPORTANT: Use only Original Equipment Manufacturer (O.E.M.) replacement parts. Failure to do so could be hazardous, damage your lawn mower and void your warranty.